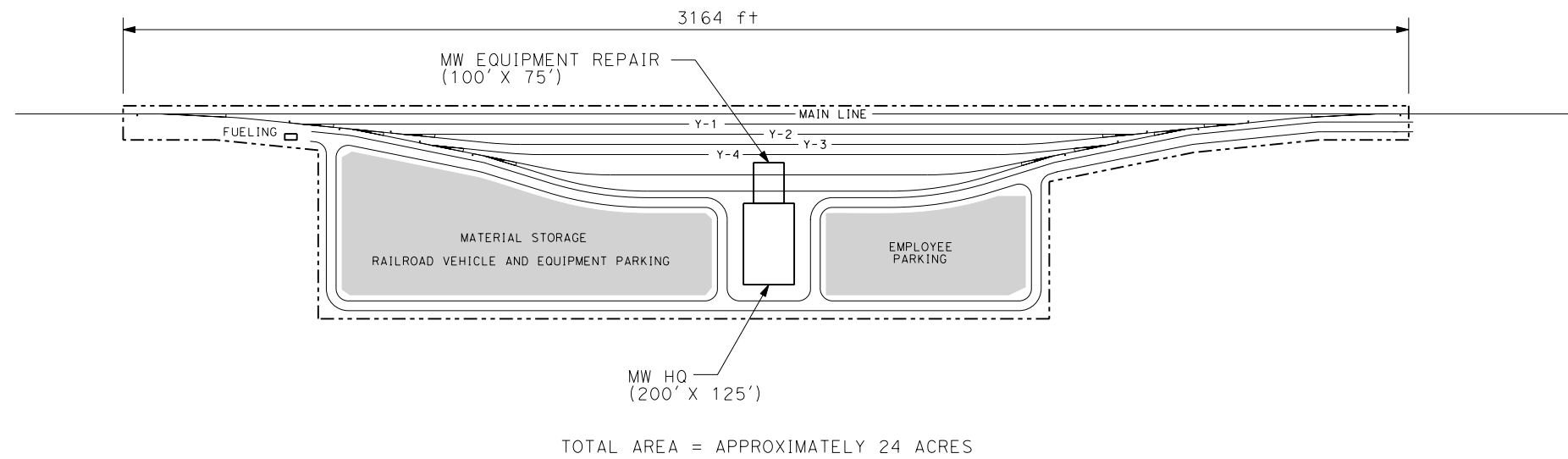


7/27/2009 12:14:10 PM T:\132598 Calif High Speed Rail\CADD\Directive Drawings\5.3 - Facilities Requirements\MOWF Concept Plan - Alternative A.dgn



REV	DATE	BY	CHK	APP	DESCRIPTION

DESIGNED BY
J. SHEEHAN
DRAWN BY
N. DELEON
CHECKED BY
P. MOSIER
IN CHARGE
P. MOSIER
DATE
07-23-09

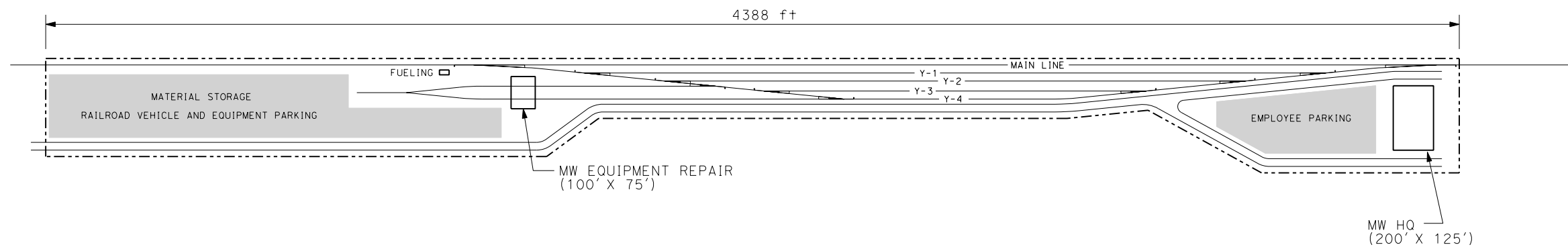


CALIFORNIA HIGH-SPEED TRAIN PROJECT

MOWF CONCEPT PLAN
ALTERNATIVE A
(WIDE CONFIGURATION)

CONTRACT NO.
13259
DRAWING NO.
TM 5.2A
SCALE
NO SCALE
SHEET NO.
1 OF 2

7/27/2009 12:19:41 PM T:\132598 Calif High Speed Rail\CADD\Directive Drawings\5.3 - Facilities Requirements\MOWF Concept Plan - Alternative B.dgn



TOTAL AREA = APPROXIMATELY 26 ACRES

REV	DATE	BY	CHK	APP	DESCRIPTION

DESIGNED BY
J. SHEEHAN
DRAWN BY
N. DELEON
CHECKED BY
P. MOSIER
IN CHARGE
P. MOSIER
DATE
07-23-09



CALIFORNIA HIGH-SPEED TRAIN PROJECT

MOWF CONCEPT PLAN
ALTERNATIVE B
(NARROW CONFIGURATION)

CONTRACT NO.
13259
DRAWING NO.
TM 5.2B
SCALE
NO SCALE
SHEET NO.
2 OF 2