

T:\13259c-CHSTP\CAD\02 Dgn\TM 3.4.2\TM 3.4.2-0.dgn

7/8/2010

spenceg

FILE	SHEET NO.	DRAWING NO.	REV	DRAWING TITLE
X-TM-Q2-000	1	TM 3.4.2-0		COMMUNICATIONS SYSTEM SPACE REQUIREMENTS & LAYOUT - INDEX OF DRAWINGS
X-TM-Q2-001	2	TM 3.4.2-A		TYPICAL PASSENGER STATION TCCR SPACE PLAN
X-TM-Q2-002	3	TM 3.4.2-B		TYPICAL TRACTION POWER FACILITY COMMUNICATION SPACE PLAN
X-TM-Q2-003	4	TM 3.4.2-C		TYPICAL TRAIN CONTROL HOUSE COMMUNICATIONS SPACE PLAN
X-TM-Q2-004	5	TM 3.4.2-D		TYPICAL COMMUNICATIONS SHELTER SPACE PLAN
X-TM-Q2-005	6	TM 3.4.2-E		TYPICAL TUNNEL COMMUNICATIONS EQUIPMENT PLAN

REV	DATE	BY	CHK	APP	DESCRIPTION

DESIGNED BY
B. RUSSO

DRAWN BY
G. SPENCE

CHECKED BY
H. BOWIE

IN CHARGE
R. SCHMEDES

DATE
06-25-10



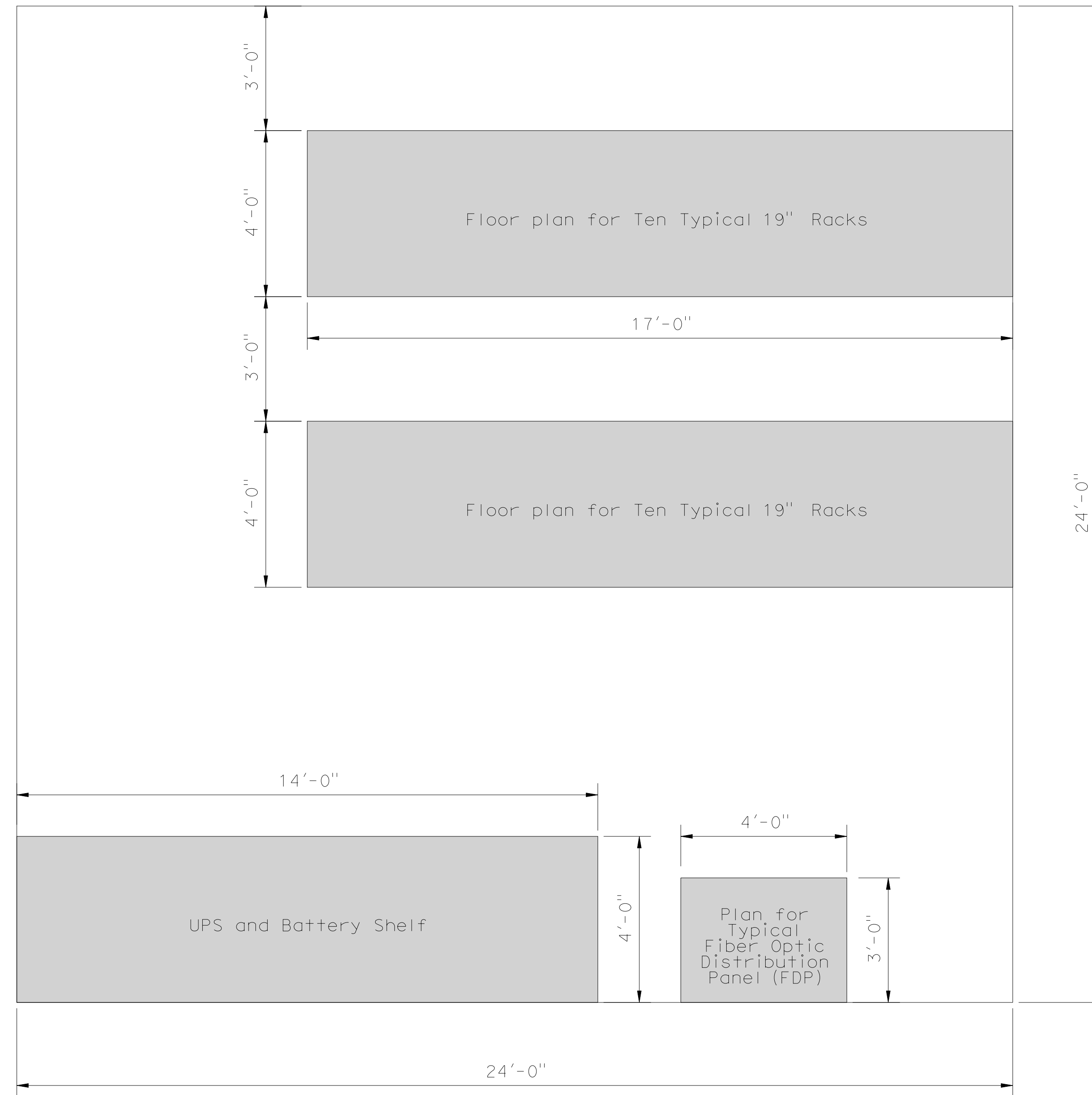
CALIFORNIA HIGH-SPEED TRAIN PROJECT

COMMUNICATION SYSTEMS
SPACE REQUIREMENTS & LAYOUT
INDEX OF DRAWINGS

CONTRACT NO.
DRAWING NO. TM 3.4.2-0
SCALE NOT TO SCALE
SHEET NO.

T:\13259c-CHSTP\CAD\02 Dgn\TM 3.4.2\TM 3.4.2-A.dgn

7/8/2010
spenceg



NOTE:

Except for train control, the space needs of application-specific systems including fixed facility subsystems, are not included in this drawing.

REV	DATE	BY	CHK	APP	DESCRIPTION

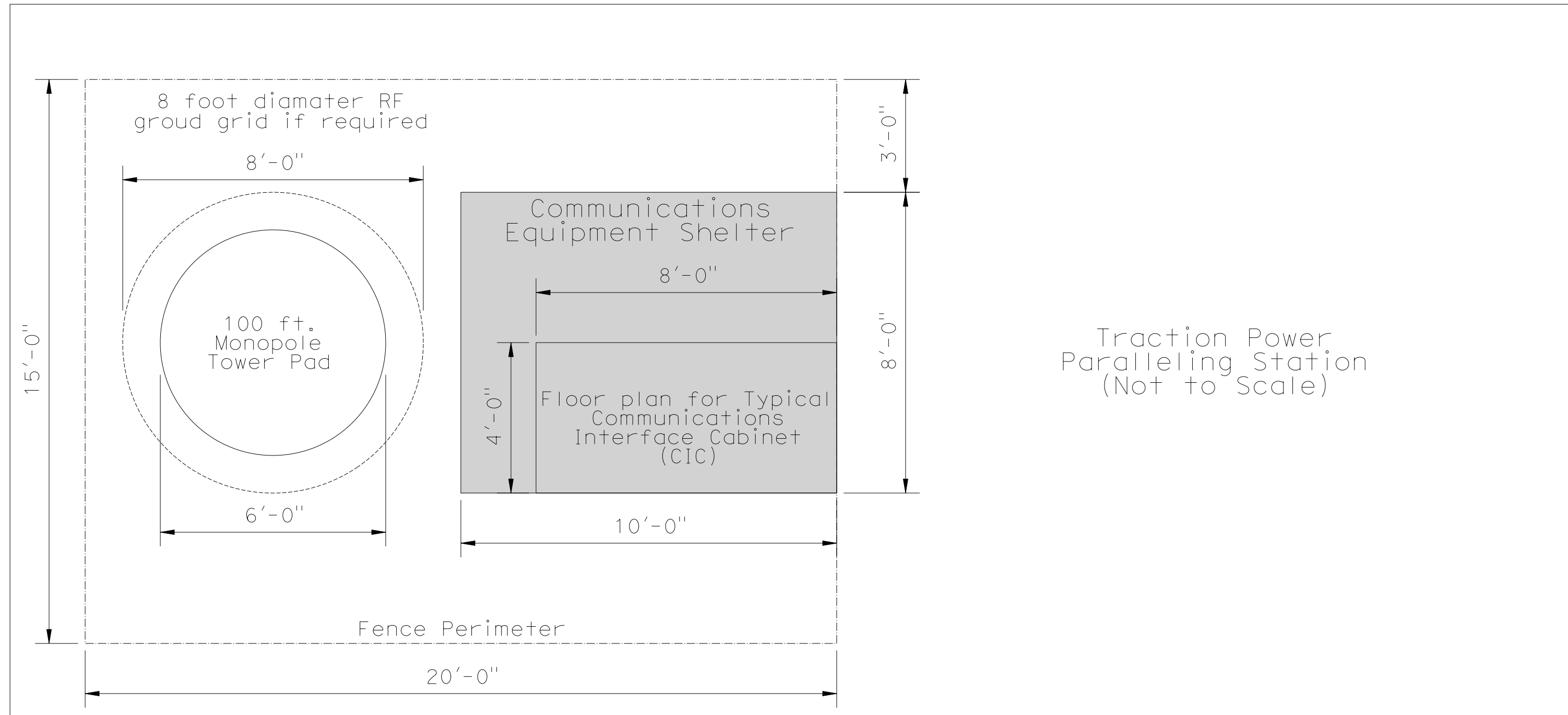
DESIGNED BY
B. RUSSO
DRAWN BY
G. SPENCE
CHECKED BY
H. BOWIE
IN CHARGE
R. SCHEDES
DATE
06-25-10



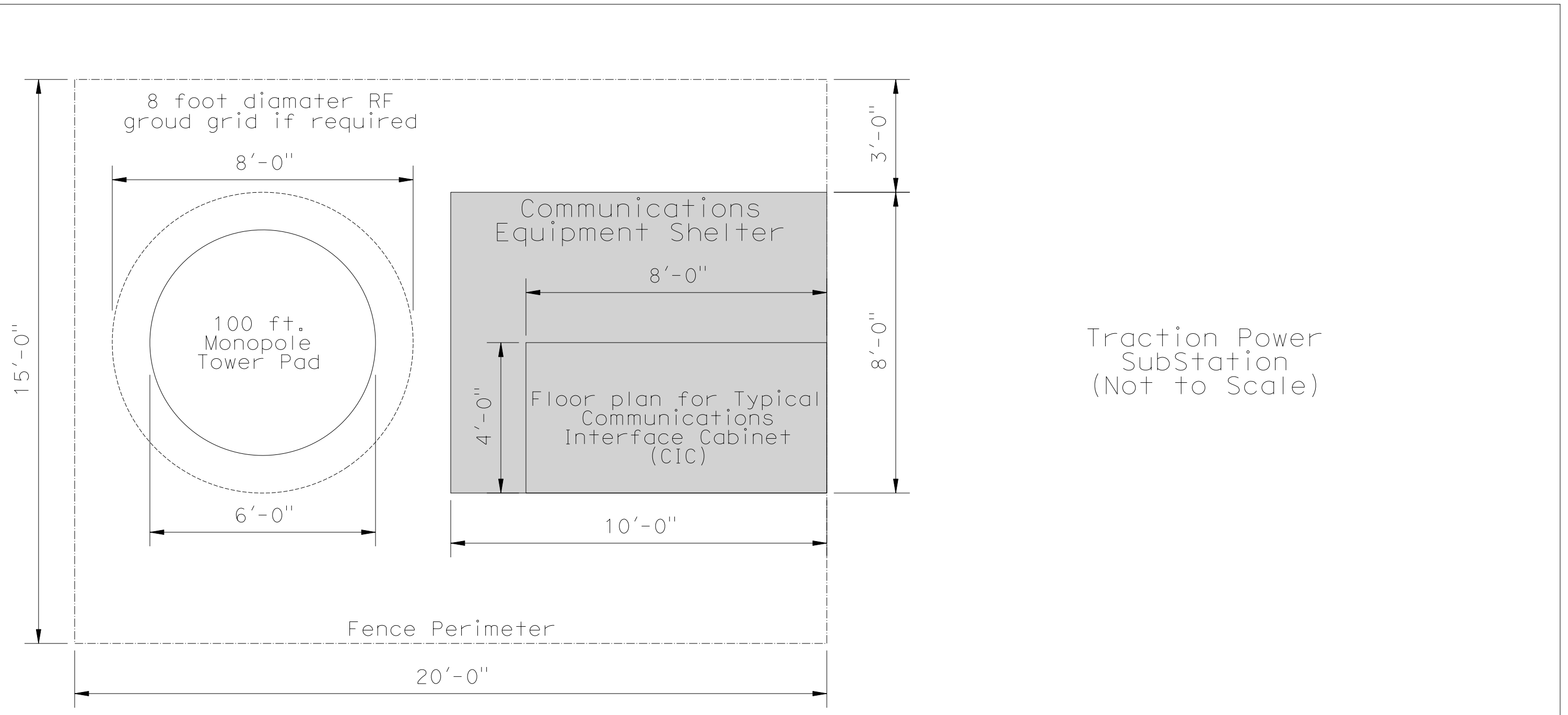
CALIFORNIA HIGH-SPEED TRAIN PROJECT

TYPICAL PASSENGER STATION
TCCR SPACE PLAN

CONTRACT NO.
DRAWING NO. TM 3.4.2-A
SCALE 1/2" = 1'-0"
SHEET NO.

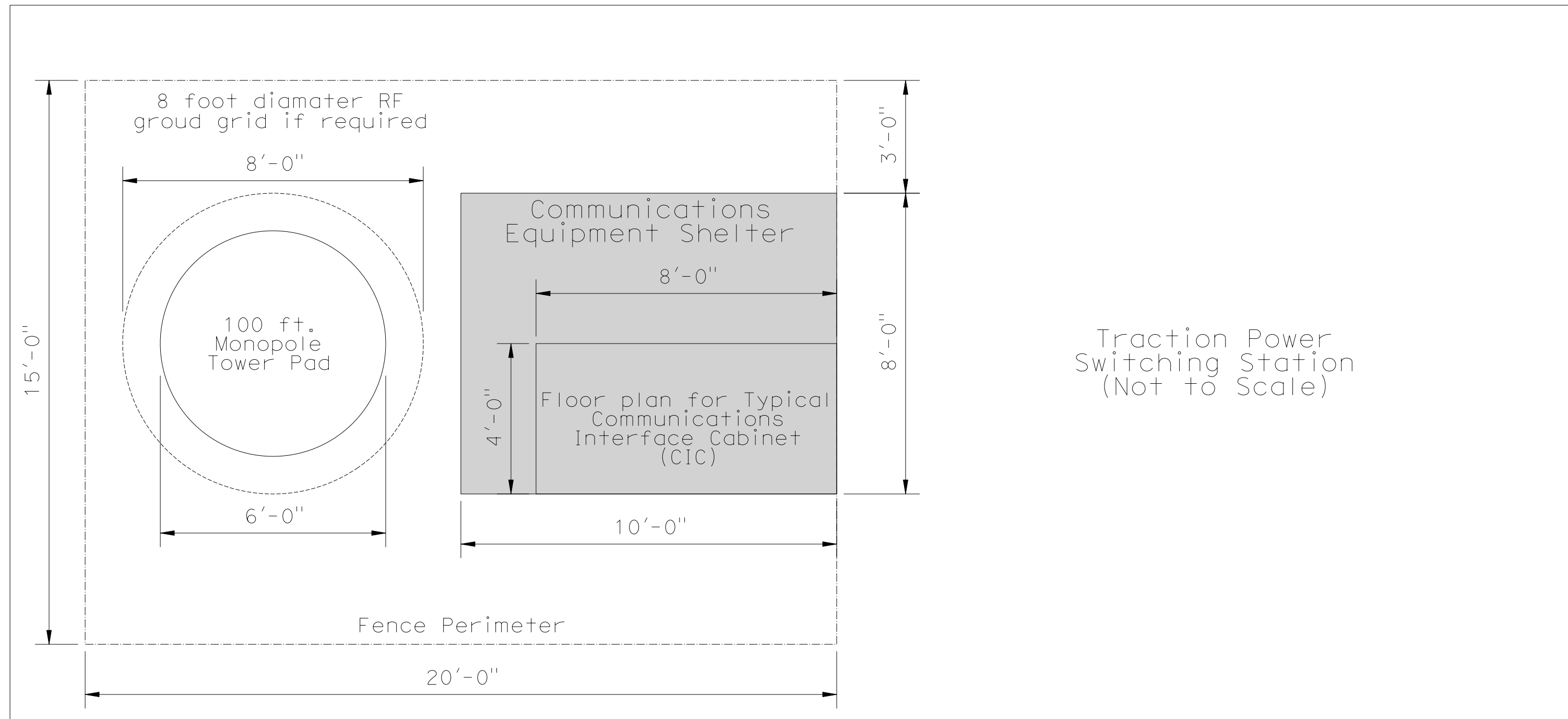


Traction Power Paralleling Station
(Not to Scale)



Traction Power SubStation
(Not to Scale)

NOTE:
Communications Shelter will be co-located with Traction Power Facilities but will have its own separate and secure access. No Com access to TPF will be permitted.



Traction Power Switching Station
(Not to Scale)

T:\13259c-CHSTP\CAD\02 Dgn\TM 3.4.2\TM 3.4.2-B.dgn
7/8/2010
spenceg

REV	DATE	BY	CHK	APP	DESCRIPTION

DESIGNED BY B. RUSSO
DRAWN BY G. SPENCE
CHECKED BY H. BOWIE
IN CHARGE R. SCHMEDES
DATE 06-25-10



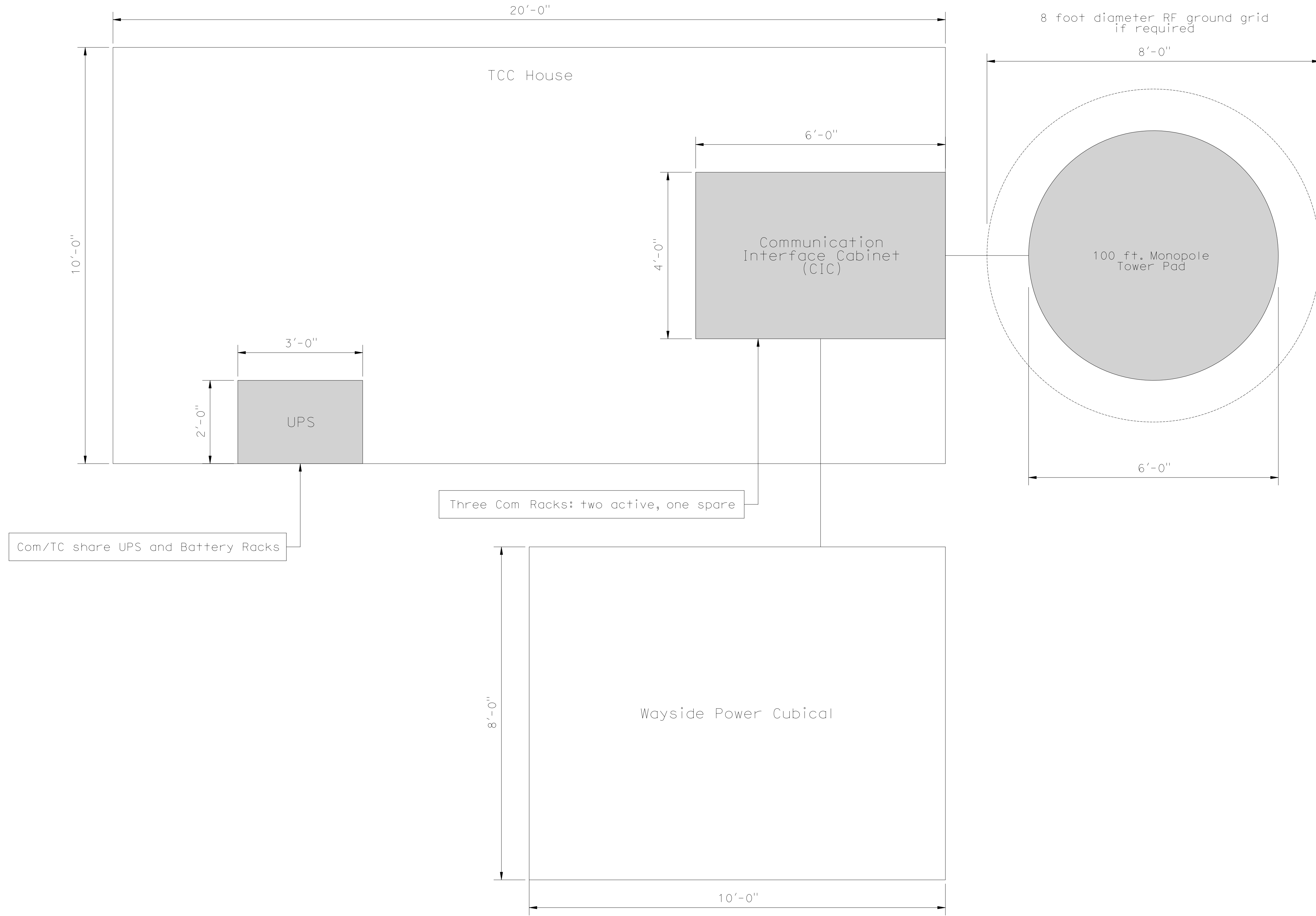
CALIFORNIA HIGH-SPEED TRAIN PROJECT

TYPICAL TRACTION POWER FACILITY
COMMUNICATION SPACE PLAN

CONTRACT NO.
DRAWING NO. TM 3.4.2-B
SCALE 3/8" = 1'-0"
SHEET NO.

T:\13259c-CHSTP\CAD\02 Dgn\TM 3.4.2\TM 3.4.2-C.dgn

7/8/2010
spenceg



REV	DATE	BY	CHK	APP	DESCRIPTION

DESIGNED BY
B. RUSSO
DRAWN BY
G. SPENCE
CHECKED BY
H. BOWIE
IN CHARGE
R. SCHEDES
DATE
06-25-10



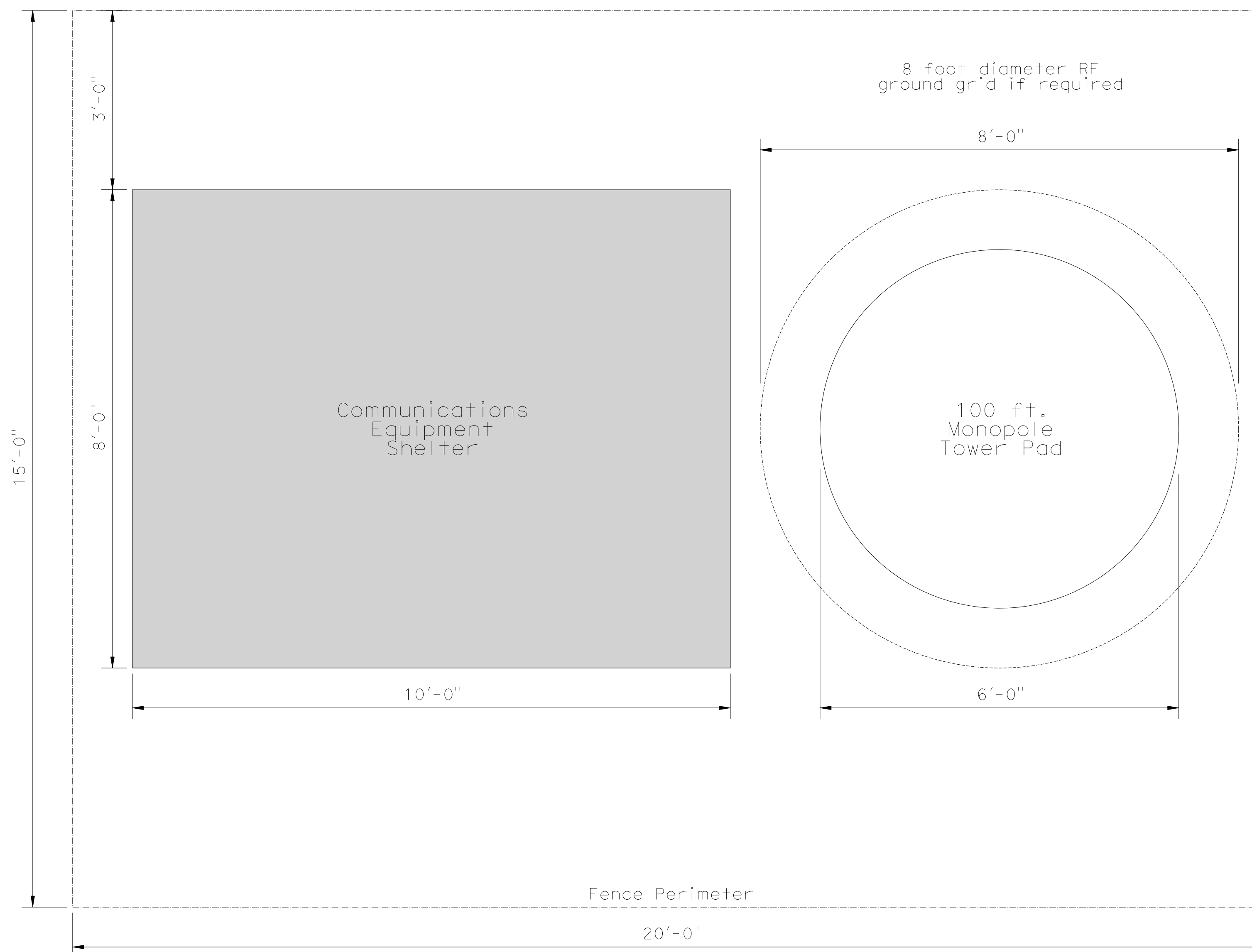
CALIFORNIA HIGH-SPEED TRAIN PROJECT

TYPICAL TRAIN CONTROL HOUSE
COMMUNICATIONS SPACE PLAN

CONTRACT NO.
DRAWING NO.
TM 3.4.2-C
SCALE
3/4" = 1'-0"
SHEET NO.

T:\13259c-CHSTP\CAD\02 Dgn\TM 3.4.2\TM 3.4.2-D.dgn

7/8/2010
spenceg



REV	DATE	BY	CHK	APP	DESCRIPTION

DESIGNED BY
B. RUSSO
DRAWN BY
G. SPENCE
CHECKED BY
H. BOWIE
IN CHARGE
R. SCHEDES
DATE
06-25-10

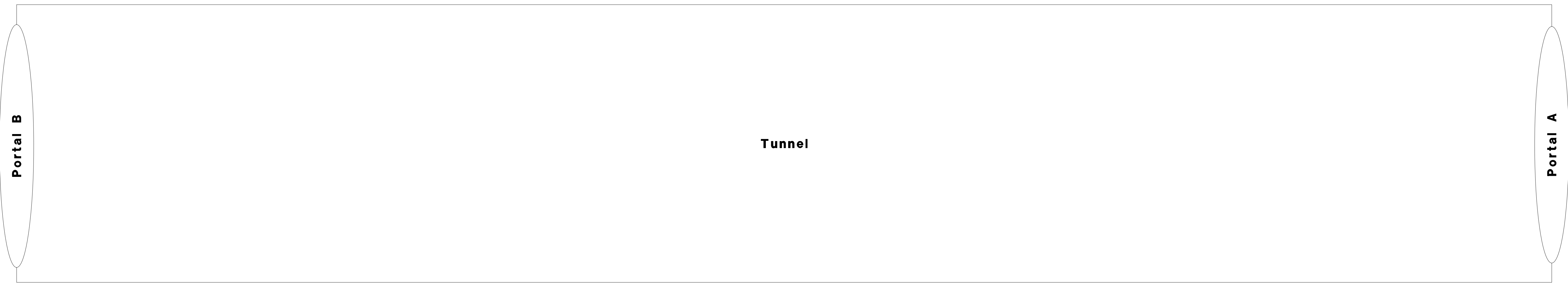


CALIFORNIA HIGH-SPEED TRAIN PROJECT

TYPICAL COMMUNICATIONS
SHELTER SPACE PLAN

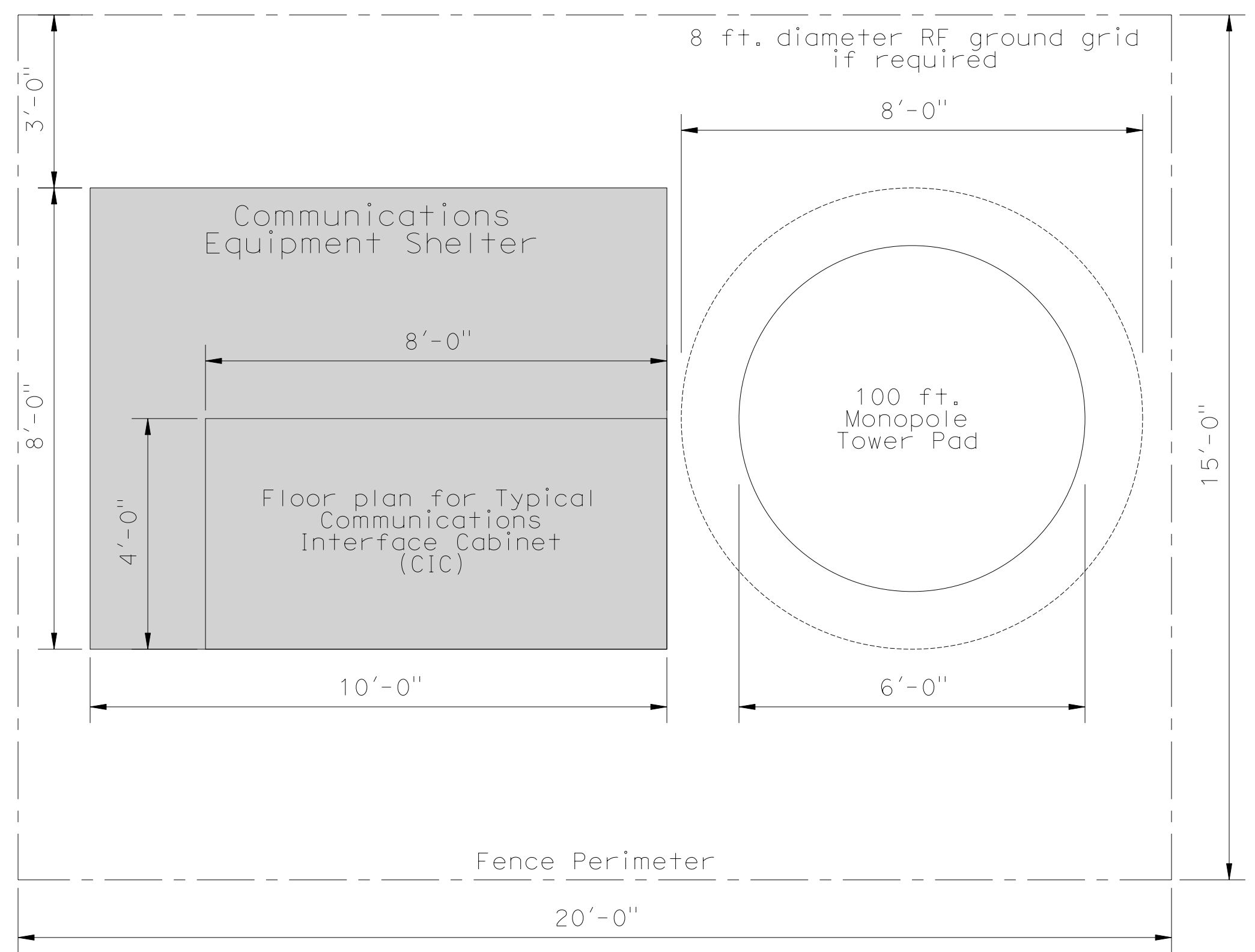
CONTRACT NO.
DRAWING NO. TM 3.4.2-D
SCALE 3/4" = 1'-0"
SHEET NO.

Note:
Need for portal A & B will be dependent on length of tunnel.

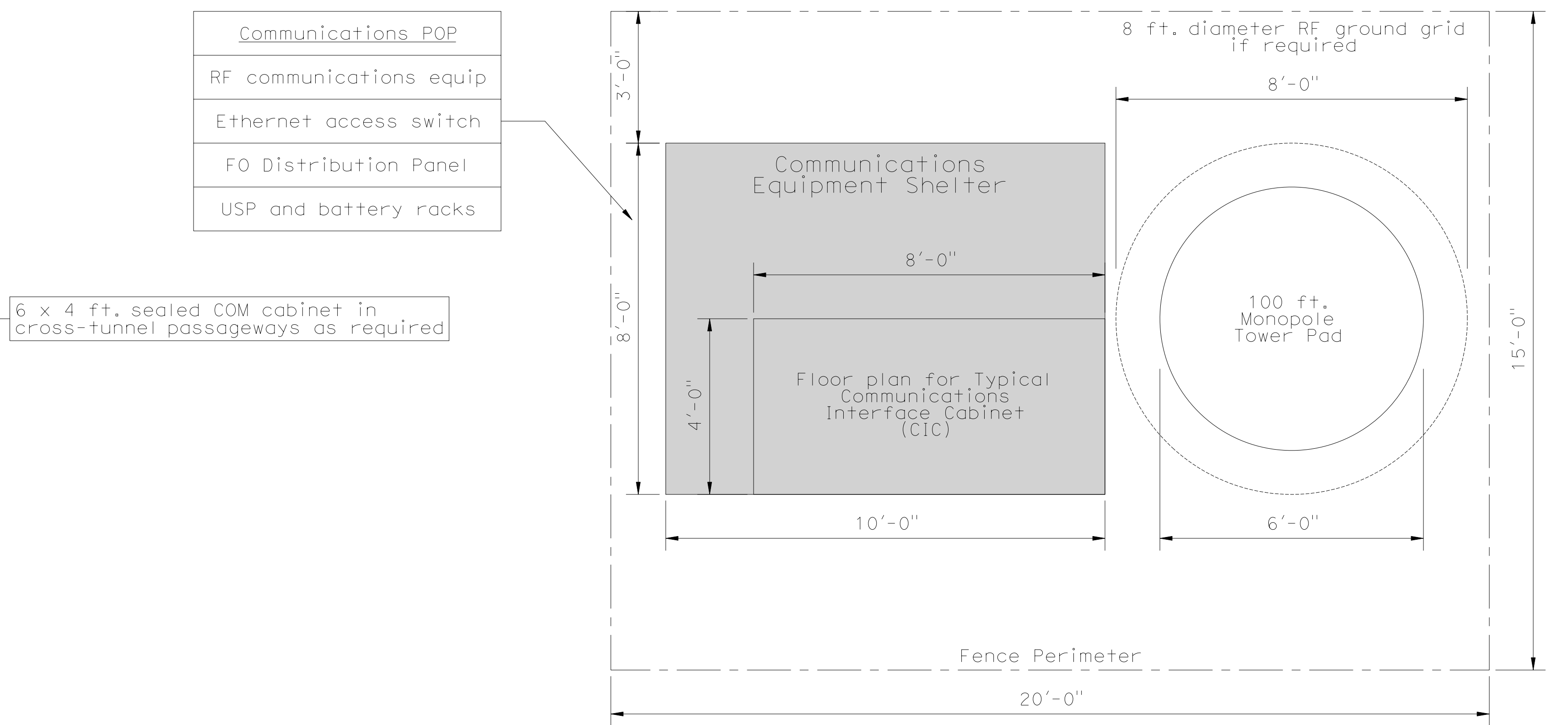


Fiber Optic Regeneration Facilities

Backbone Fiber Optic Cable both sides of track



Optional second Communication Shelter for long tunnels



Communication Shelter for located outside tunnel portal

T:\13259c-CHSTP\CAD\02 Dgn\TM 3.4.2\TM 3.4.2-E.dgn

spenceg

7/8/2010

REV	DATE	BY	CHK	APP	DESCRIPTION

DESIGNED BY
B. RUSSO

DRAWN BY
G. SPENCE

CHECKED BY
H. BOWIE

IN CHARGE
R. SCHMEDES

DATE
06-25-10



CALIFORNIA HIGH-SPEED TRAIN PROJECT

TYPICAL TUNNEL COMMUNICATIONS EQUIPMENT PLAN

CONTRACT NO.
DRAWING NO. TM 3.4.2-E
SCALE 1/2" = 1'-0"
SHEET NO.